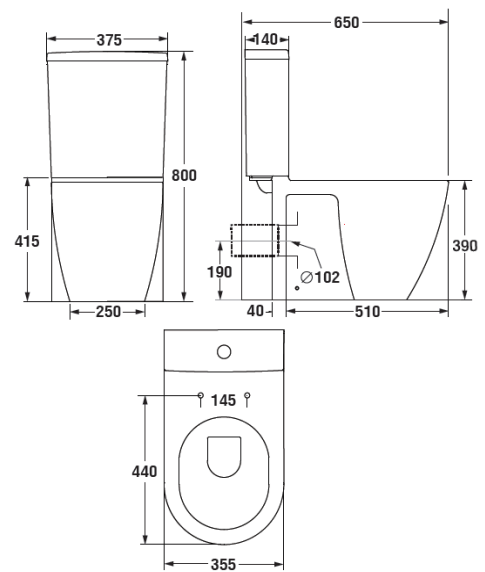




PROJECT		REF		REV	ITEM CODE	
LOCATION		DATE			PAGE	

SANITARY WARE SPECIFICATION SHEET

Item Descriptions	Alessi (Thailand) "Pro Modern" 650mm long v.c. close-coupled p-trap watercloset with soft-closing seat and cover ; 3.1/4.7 LPF in WELS Grade 1; Registration No.: WC 19-0022	<p align="center">Illustration/ Drawing</p>
Outlet	H.O. Trapway, 190 mm	
Dimensions	L650 x W360 x H795mm	
Model	AL2778A (Watercloset) I1694S (Slim seat & cover)	
Material / Color	Vitreous China / White	
Country of Origin	Thailand	
Source	Acme Sanitary Ware Co. Ltd Mr. Eric Wong/ Mr. Wilson Hung	
Contact Tel/Fax	(852) 2388-7171 / (852) 2710-8012	
E-mail	acme@acmesanitary.com.hk	
Website	www.acmesanitary.com.hk	



- Note:-**
- 1) 4.5L flushing for water saving
 - 2) Space saving - 650mm long
 - 3) Real p-trap
 - 4) Dual flush 3/4.5L
 - 5) Soft-closing seat and cover

* All information of the above is for the reference only. No prior notice is made if any changes.



自願參與用水效益標籤計劃 - 水廁
Voluntary Water Efficiency Labelling Scheme - Water Closets



茲證明


This is to certify that

Acme Sanitary Ware Co., Ltd.

將下列水廁在本計劃內註冊：

has registered the following water closet under this scheme :

牌子 / Brand	:	Alessi + Siamp
型號 / Model	:	AL2778A(AL-2781 + AL-3708.5) + Optima 49
種類 / Category	:	Close-coupled Suite
原產地 / Country or Region Origin	:	Thailand (WC Pan and Cistern) Vietnam (Flushing Valve)

在用水效益標籤上展示的標誌 <i>Symbolic Presentation on the Water Efficiency Label</i>	:	 滴水點 <i>Water droplet(s)</i>
用水效益級別 <i>Water Efficiency Grade</i>	:	1
全沖水量 <i>Water Flush Volume (Full)</i>	:	4.7 公升/沖廁 <i>litres/flush</i>
低沖水量 <i>Water Flush Volume (Reduced)</i>	:	3.1 公升/沖廁 <i>litres/flush</i>

簽發日期:
Date of Issue: 23 September 2019

 水務署
Water Supplies Department



水務署署長(張業駒代行)
for Director of Water Supplies

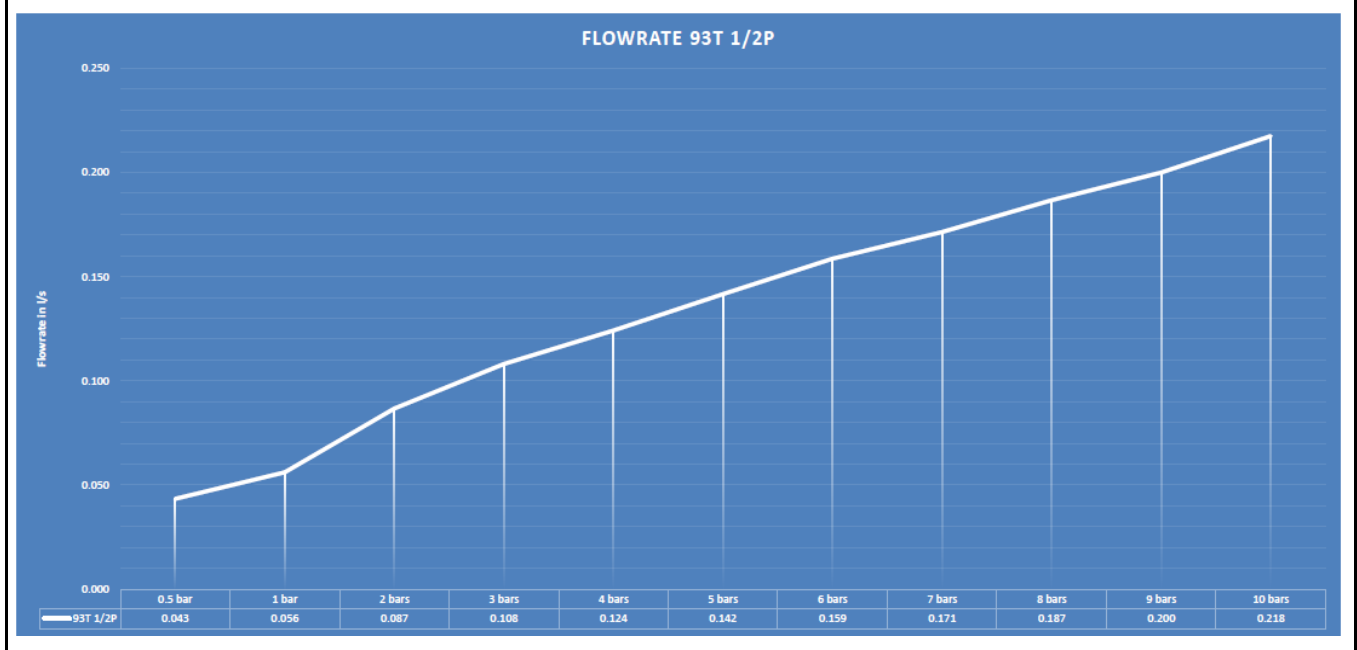
+ 上述水廁具額外節水功能，即：重用洗盥水作沖廁用途。
The above water closet is equipped with additional water saving feature, that is: re-use the water collected from wash basin for flushing purpose.



PROJECT		REF		REV	ITEM CODE	
LOCATION		DATE			LEGEND	

SANITARY WARE SPECIFICATION SHEET

Item Descriptions	Siamp (Monaco) 1/2" extractable and extendable bottom inlet valve fitting	<p>Illustration/ Drawing</p>
Dimensions	Refer to drawing	
Model	93T	
Material	Plastic	
Manufacturer	Siamp	
Source	Acme Sanitary Ware Co. Ltd Mr. Eric Wong/ Mr. Wilson Hung	
Contact Tel/Fax	(852) 2388-7171 / (852) 2710-8012	
E-mail	acme@acmesanitary.com.hk	
Website	www.acmesanitary.com.hk	



Note:

- 1) Extractable
- 2) Extendable
- 3) Torque requirement : 4N/meter

Any excess the torque requirement may cause the damage.

* All information of the above is for the reference only. No prior notice is made if any changes.



水務署
Water Supplies Department

香港灣仔告士打道七號入境事務大樓
Immigration Tower, 7 Gloucester Road, Hong Kong.



wsdinfo@wsd.gov.hk

圖文傳真
Facsimile 2824 0578

4) in WSD 3321/2025 T/J(197/2025)

19 May 2025



Dear Sir/Madam,

**Approval of “SIAMP” Float Operated Valve
(General Acceptance No. ZC20250327F)**

Your letter dated 9 January 2025 and subsequent submission received by this department on 22 April 2025 refer.

Having considered the test report ref. RSIA004r1 issued on 8 April 2025 by Ideal Test Consultants Ltd., this Authority accepts that the fitting described below complies with, and its use when correctly installed does not contravene, the Waterworks Ordinance and Regulations.

Name of Manufacturer: SIAMP Ltd
Country of Origin: Vietnam
Brand: SIAMP
Details of Fitting: 1/2" Plastic float operated valve
Model: 93T
Body Markings: SIAMP
Expiry Date: 18 May 2030



Proviso: As the fitting has not been tested for use in contact with water intended for human consumption, the fitting can only be used in flushing water plumbing system.

This Authority hereby permits the use of the above fitting in flushing water plumbing systems subject to full adherence to Waterworks installation requirements. In particular, you are required to draw your customers' attention to the following requirement-

"The flushing volume of the flushing valve should be adjusted to suit the design of the toilet bowl so that wastes can be cleared effectively by a single flush."

"The fitting should be used within the range of working pressures specified by the manufacturer." AND

"The installed fitting should not result in backflow of water that will contaminate the flushing water supply."

A condition of this acceptance is that the fitting to be installed shall be replicas of the sample as certified by the testing agent mentioned above and without modifications. This acceptance may be withdrawn at any time if the standard of the fitting installed fails to meet that of the approved sample or if the fitting is found to be unsuitable for use in flushing water plumbing systems.

For the use of the fitting in any project, the General Acceptance Number of this letter must be quoted as a means of identification of acceptance of the fitting by this Authority.

Should you have any enquiries, please contact our Engineer Mr Albert CHOW at tel. no. 3583 4086.

Yours faithfully,



(Terry KUNG)

for Director of Water Supplies

Encl.

c.c. WSD 3321/1/82] - without catalogue
ME/MC] - with soft copy only



PROJECT		REF		REV	ITEM CODE	
LOCATION		DATE			PAGE	

SANITARY WARE SPECIFICATION SHEET

<p>Item Descriptions</p> <p>Dimensions</p> <p>Model</p> <p>Material</p> <p>Manufacturer / Origin</p> <p>Source</p> <p>Contact Tel/Fax</p> <p>E-mail</p> <p>Website</p>	<p>SIAMP (Monaco brand) "OPTIMA" plastic watercloset dual flush drop valve</p> <p>Refer to drawing</p> <p>OPTIMA 49</p> <p>Plastic</p> <p>SIAMP / Vietnam</p> <p>Acme Sanitary Ware Co. Ltd Mr. Eric Wong/ Mr. Wilson Hung</p> <p>(852) 2388-7171 / (852) 2710-8012 acme@acmesanitary.com.hk www.acmesanitary.com.hk</p>	<p style="text-align: center;">Illustration/ Drawing</p>
------------------------------------------------------------------------------------------------------------------------------------------------------------------------	--------------------------------------------------------------------------------------------------------------------------------------------------------------------------------------------------------------------------------------------------------------------------------------------------------------------------------------	----------------------------------------------------------

Note:

* All information of the above is for reference only. No prior notice is made if any changes.



水務署
Water Supplies Department

總部 Headquarters

香港灣仔告士打道七號入境事務大樓 48 樓

7 Gloucester Road, Wan Chai, Hong Kong



本署檔號
Our ref.
來函檔號
Your ref.

2024 T/J(253/2024)

電話 :
Tel. :
傳真 : 2824 0578
Fax. :

21 June 2024

Dear Sir/Madam,

**Approval of "SIAMP" Flush Valve
(General Acceptance No. C20240382F)**

Your letter dated 21 March 2024 and subsequent submissions received by this department up to 31 May 2024 refer.

Having considered the test report ref. RSIA003 issued on 29 May 2024 by Ideal Test Consultants Ltd., this Authority accepts that the fitting described below complies with, and its use when correctly installed does not contravene, the Waterworks Ordinance and Regulations.

Name of Manufacturer: Siamp Ltd
Country of Origin: Vietnam
Brand: Siamp
Details of Fitting: 2" Plastic dual flush valve
Model: OPTIMA 49
Body Markings: **SIAMP**
Expiry Date: 11 March 2029



Proviso: As the fitting has not been tested for use in contact with water intended for human consumption, the fitting can only be used in flushing water plumbing system.

This Authority hereby permits the use of the above fitting in flushing water plumbing systems subject to full adherence to Waterworks installation requirements. In particular, you are required to draw your customers' attention to the following requirement-

"The flushing volume of the flushing valve should be adjusted to suit the design of the toilet bowl so that wastes can be cleared effectively by a single flush."

"The fitting should be used within the range of working pressures specified by the manufacturer." AND

"The installed fitting should not result in backflow of water that will contaminate the flushing water supply."

A condition of this acceptance is that the fitting to be installed shall be replicas of the sample as certified by the testing agent mentioned above and without modifications. This acceptance may be withdrawn at any time if the standard of the fitting installed fails to meet that of the approved sample or if the fitting is found to be unsuitable for use in flushing water plumbing systems.

For the use of the fitting in any project, the General Acceptance Number of this letter must be quoted as a means of identification of acceptance of the fitting by this Authority.

Should you have any enquiries, please contact our Engineer Mr Albert CHOW at tel. no. 3583 4086.

Yours faithfully,



(Terry KUNG)

for Director of Water Supplies

Encl.

c.c. WSD 3321/1/82] - without catalogue
ME/MC] - with soft copy only